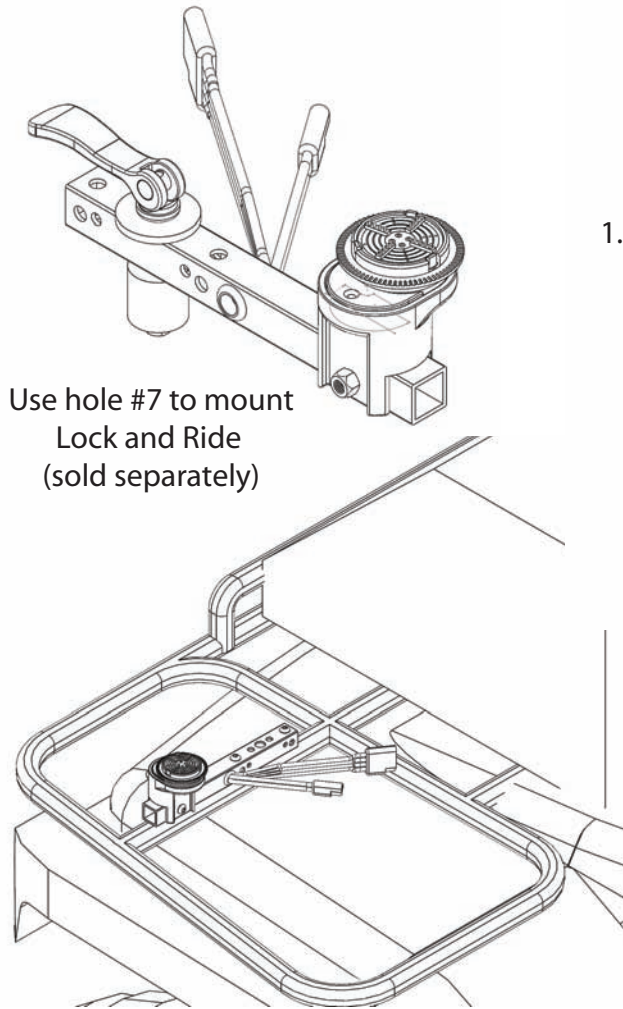


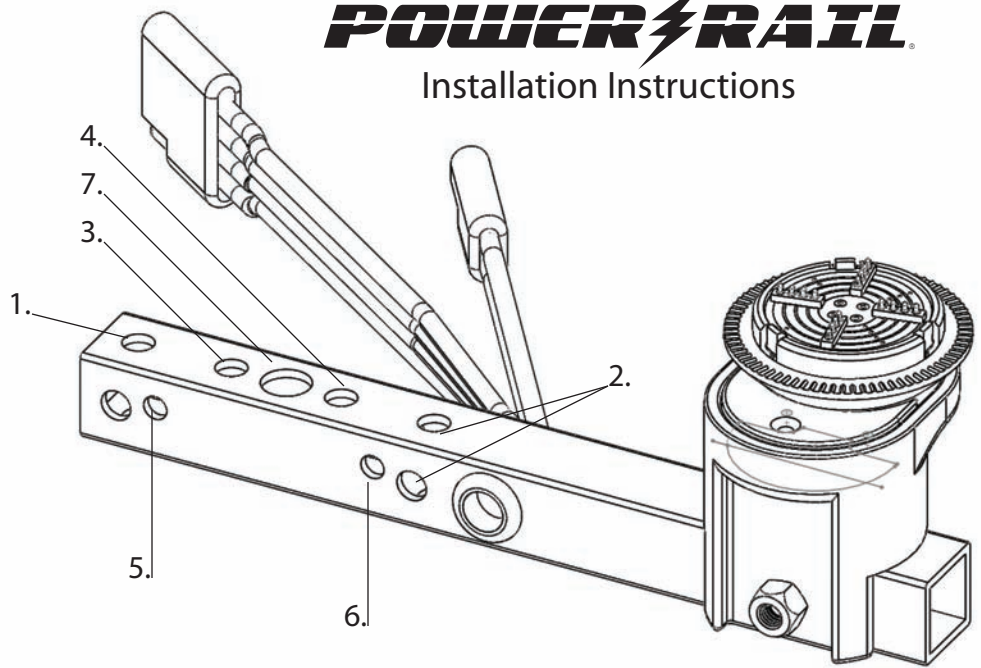
PR-PBSM2

POWER RAIL

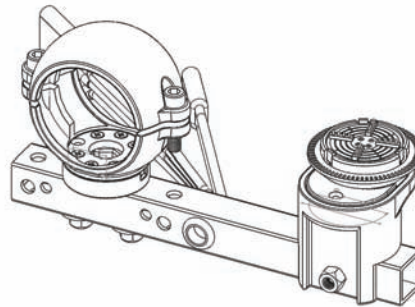
Installation Instructions



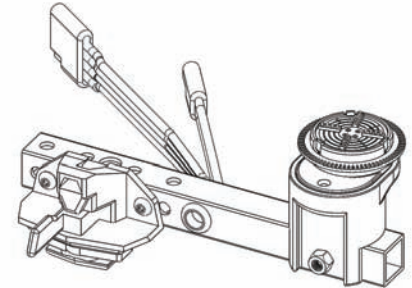
Use hole #7 to mount
Lock and Ride
(sold separately)



Use holes #1 and #2 for
through bolt mounting



Use holes # 3 and #4 to mount
PR-URM (sold separately)



Use holes #5 and #6 to mount
Can-AM LINQ (sold separately)

Attach mounts to the ATV/UTV. Run long 4 wire harness to the opposite mount. Making sure wires do not hinder the operation of the vehicle in any way.. Plug long harness into the short pigtail/ Then run power wire as stated in section below.

Important:

When using PR-PBSM2 mounts. The best way to attach the Power cable is, ether directly to the battery as shown in Fig. 1. Or using the battery tender plug that is mounted to the battery on some ATV's Fig. 2.

You can use the supplied cigarette plug for **temporary** installations only.

To help prevent electrolysis unplug power cable or add an inline switch (Part # PR-ILS16, sold separately) to remove 12 VDC when not in use.

