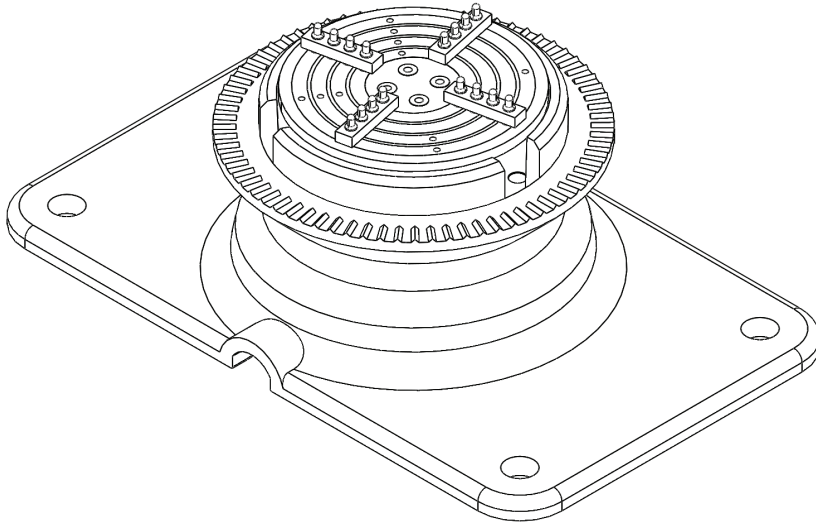


PR-PSM



Installation Instructions



MT8100B / MT8100W

Single ended Tubbies
Red - Speaker positive
Black - Speaker negative
Gray - NA
White - NA

MT81LKB / MT81LKW

Single ended Tubbies w/ light kit
Red - Speaker positive
Black - Speaker negative
Gray - 12vdc positive
White - 12 vdc negative

MT8265B / MT8265W

Double ended Tubbies
Dual 4 ohm configuration
Red - Speaker positive
Black - Speaker negative
Gray - Speaker negative
White - Speaker positive

MT8265B / MT8265W

Double ended Tubbies
Single 2 ohm configuration
Combine Red and White Speaker positives
Combine Black and Gray Speaker negative

MT6100BTA

Amplified Bluetooth Tubbie

Red - 12 vdc positive
Black - 12 vdc negative
Gray - Speaker negative output to passive tubbie
White - Speaker positive output to passive tubbie

MT6100BTAL

Amplified Bluetooth Tubbie W / LED Light

Red - 12 vdc positive
Black - 12 vdc negative
Gray - Speaker negative output to passive tubbie
White - Speaker positive output to passive tubbie

Passive Bluetooth Tubbie

Red - NA
Black - NA
Gray - Speaker negative input from amplified tubbie
White - Speaker positive input from amplified tubbie

Passive Bluetooth Tubbie W / LED Light

Red - 12 vdc positive
Black - 12 vdc negative
Gray - Speaker negative input from amplified tubbie
White - Speaker positive input from amplified tubbie